

Insulated Transport Products Bulkhead Sizing Guide: Interior Dimensions of Trailer / Truck

Height

Dimension	A	<i>If Older Trailer please complete A -C for Height New trailers only one location necessary for Height</i> Truck / Trailer Dimension From Floor to Ceiling - Left (roadside)	_____	Height
Dimension	B	Truck / Trailer Dimension From Floor to Ceiling - (Center of trailer)	_____	Height
Dimension	C	Truck / Trailer Dimension From Floor to Ceiling - Right (curbside)	_____	Height

Width

Dimension	D	<i>If Older Trailer please complete D-F for Width New trailers only one location necessary for width</i> Truck / Trailer Dimension From Side Wall to Side Wall (front wall -nose)	_____	Width
Dimension	E	Truck / Trailer Dimension From Side Wall to Side Wall (middle)	_____	Width
Dimension	F	Truck / Trailer Dimension From Side Wall to Side Wall (rear)	_____	Width

Scuff Liner?

Where Applicable Scuff liner at bottom _____ *measurement* _____ *"thick x* _____ *"height* _____

Logistic straps

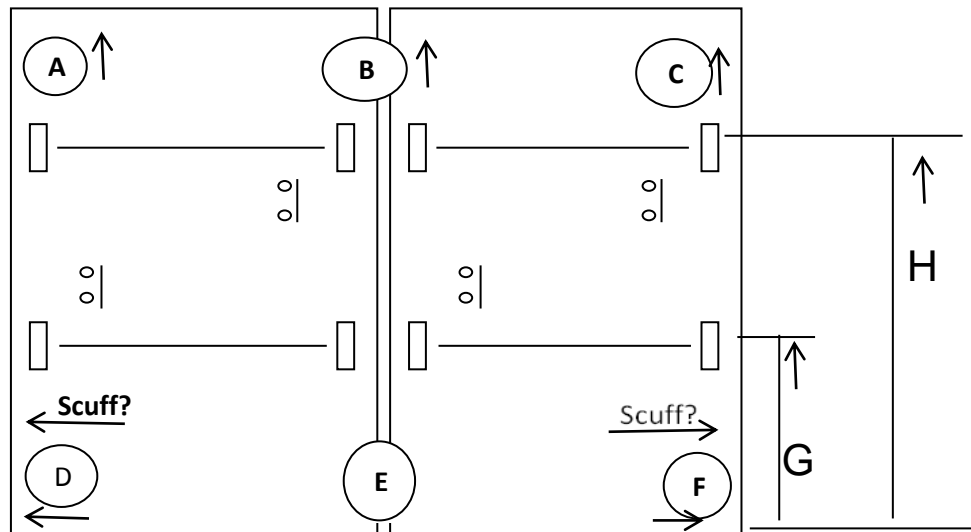
<i>Where Applicable</i>	<u>E or F Strap locations #240 E-Straps or #251 F-Straps Quantity</u>			
Dimension	G	Truck / Trailer Dimension From Floor to Center of First Logistic Track	_____	" Height
Dimension	H	Truck / Trailer Dimension From Floor to Center of Second Logistic Track	_____	" Height
Options				

Options

#175 Fan Kit: _____ Curb Side or Road Side Quantity _____
 #176 Vent Kit: _____ Curb Side or Road Side Quantity _____

Measure inside Height & Width at 10-15' intervals, Use greatest dimensions! All Dimensions To Be Within 1/8 Of An Inch

#154 Stencil
Trailer# _____



Signature _____

Date _____

Fax to (706) 882-9536

1-800-233-6180

